

SoftWood Clip™



HIDDEN FASTENERS FOR STABLE MODIFIED WOOD

Decking and cladding



HIDDEN FASTENERS

FOR STABLE MODIFIED WOOD

BENEFITS



SCREWING BOARDS
ONTO JOISTS



REVERSIBLE BOARDS
BOTH SIDES CAN BE USED



QUICK AND EASY INSTALLATION
40% TIME SAVINGS



EXTREME STABILITY
IN ALL WEATHERS



REGULAR, EVEN SPACING
BETWEEN BOARDS ALL YEAR
ROUND



ABSORBS SWELLING
OF THE BOARDS



HIGH MECHANICAL
STRENGTH



EXTREMELY DURABLE



UNCOMPROMISING QUALITY
AND PERFORMANCE



45° screw guide

To help in installing and ensuring a perfect screw angle.



Plastic resin shell

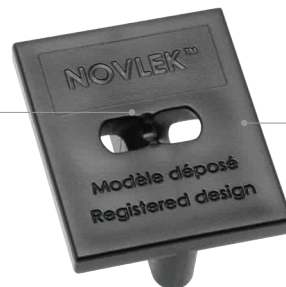
High performance polymer to cope with the mechanical and physical stresses on the fastener.

Gripping ribs

Hold the fastener in place while it is being screwed in.

Integrated spacer

Ensures appropriate, constant and even spacing between boards. It is designed to absorb the swelling of the boards without damaging the wood. 2 thicknesses available: 5 and 7 mm.



Black antireflective fini

Ensures full UV protection, as well as complete discretion. Does not reflect the sun's rays or light.



Stainless steel screw A2 AISI 304

Highly resistant to a saline atmosphere. Solid "Antique" colour stainless steel.



Small head

Ground serrations, Torx SPAX T-STAR plus.

SPAX ground serrations profil

CUT point

For fast, safe screwing.

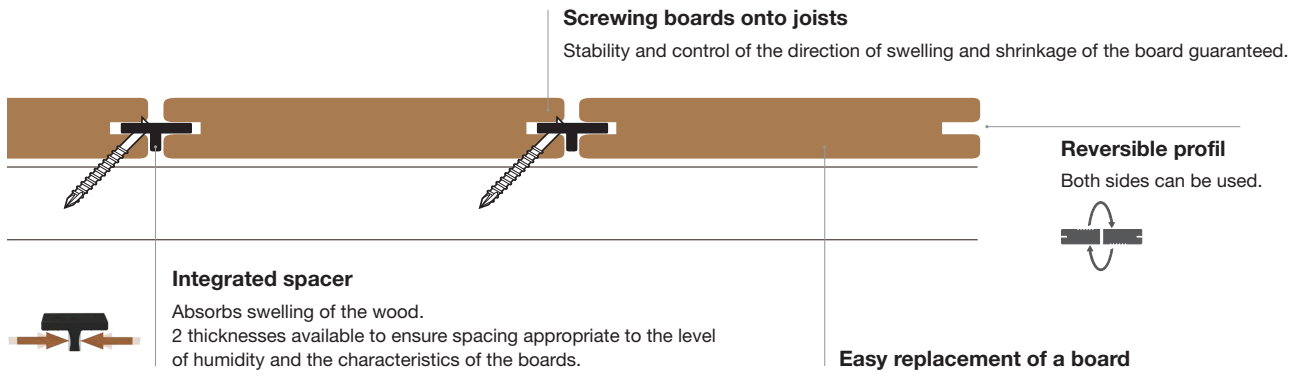


Click on the photo to watch the video

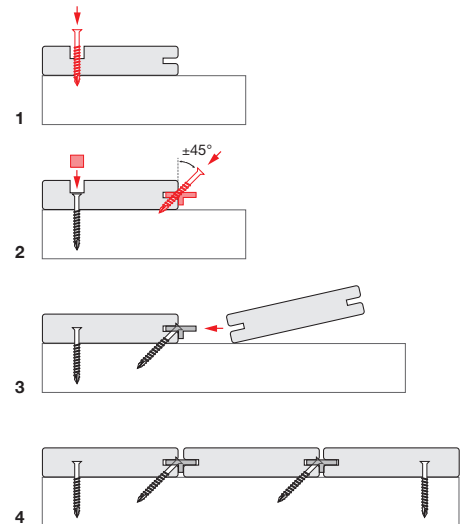
USE

The invisible SoftWood Clip™ fasteners are designed especially for decking and cladding, in stable modified timber: heat-treated pine, heat-treated ash, Accoya®, Kebony®, bamboo, etc.

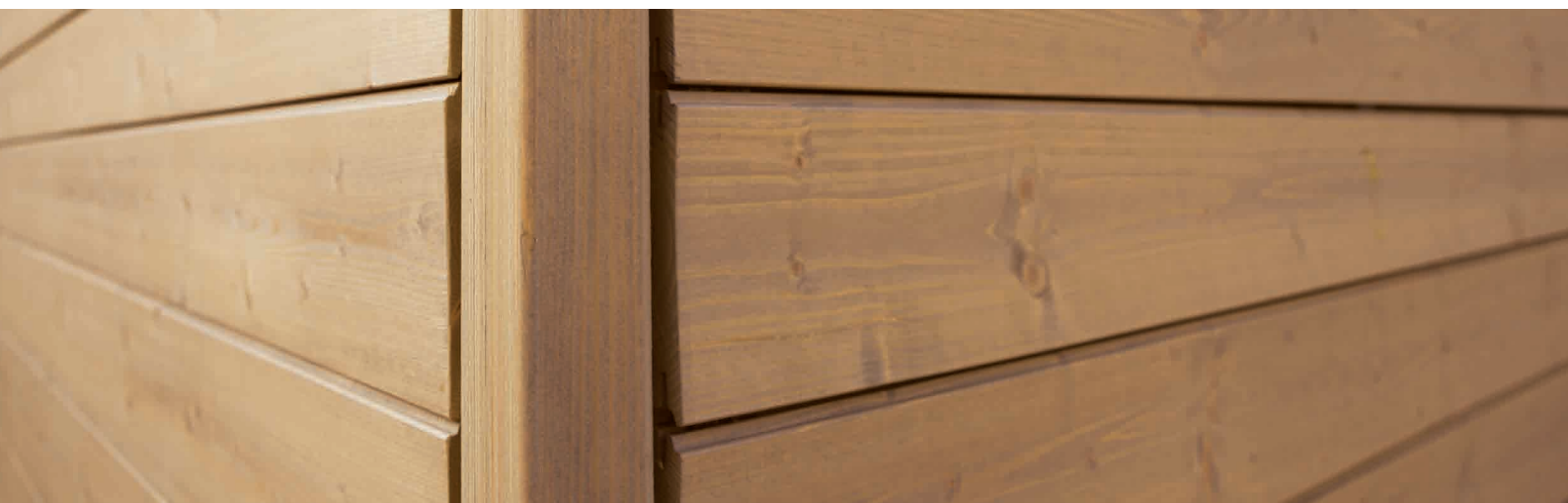
SoftWood Clip™ fasteners ensure complete stability over time, along with their high-end aesthetic and unparalleled durability.



USE*	TROPICAL WOOD	BROAD-LEAVED SPECIES OAK CHESTNUT	RESINOUS WOOD	MODIFIED WOOD			
				ACCOYA®	KEBONY®	HEAT-TREATED	BAMBOO
Residential	✗	✗	✗	✓	✓	✓	✓
Public / Commercial	✗	✗	✗	✓	✓	✗	✓
Coastal	✗	✗	✗	✓	✓	✓	✓
Decking	✗	✗	✗	✓	✓	✓	✓
Pool beaches	✗	✗	✗	✓	✓	✓	✓
Cladding	✗	✗	✗	✓	✓	✓	✓



* Scrupulously respect the requirements linked to the chosen species (NF B 54-040), the requirements of the standards and regulations in force (notably NF-DTU 51.4 and 41.2), maximum width/thickness ratio values, installation and grooving instructions, manufacturer's instructions, regulations in force and good practices. Some varieties must be used with special care or are to be avoided, due, notably to their unstable nature, to their range of movement, to their fragility or certain specific properties that could give rise to weaknesses with respect to the boards. For further information, please contact your retailer, your timber supplier or send an e-mail to info@novlek.com.



HIDDEN FASTENERS

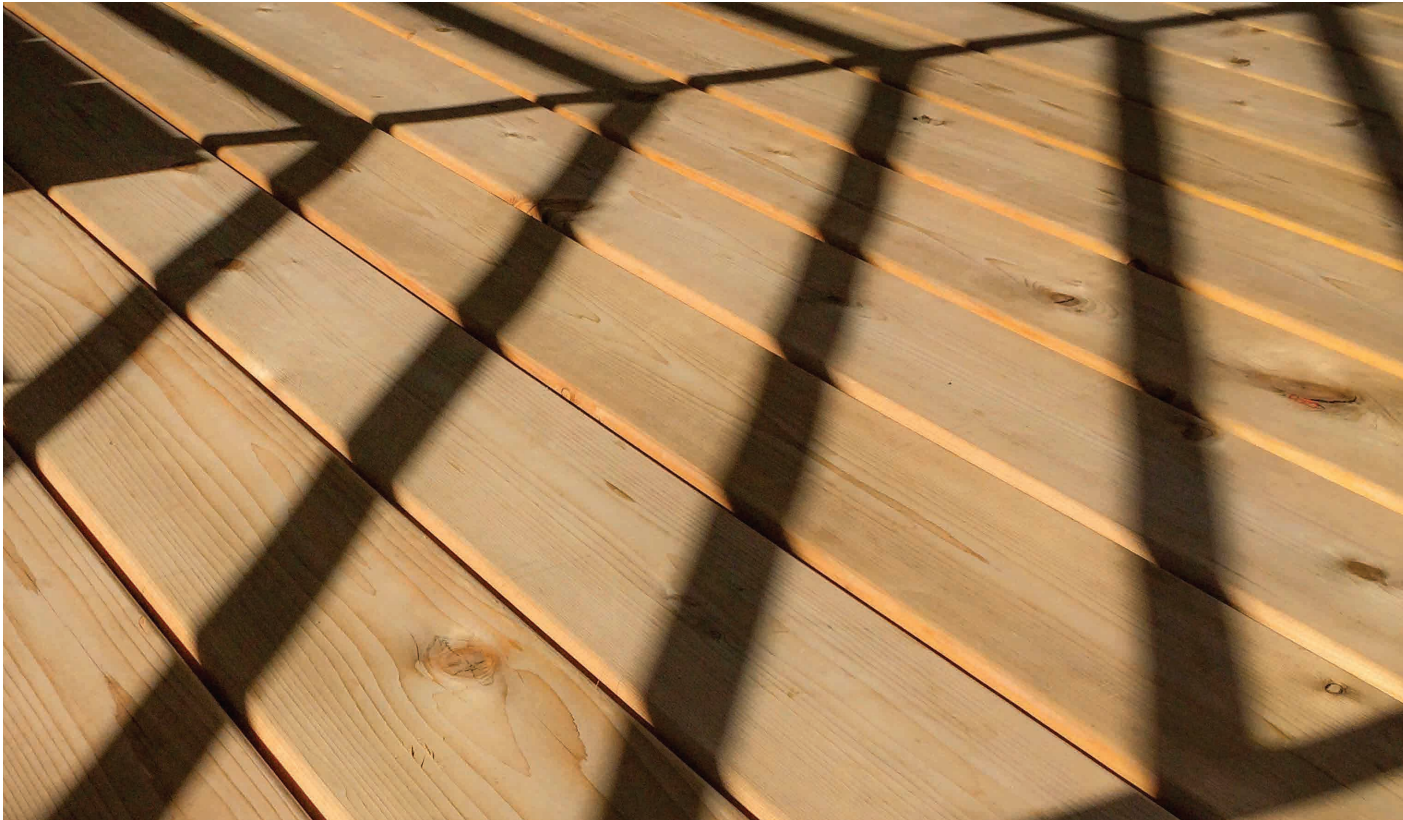
FOR STABLE MODIFIED WOOD

2 SIZES TO GUARANTEE APPROPRIATE SPACING BETWEEN BOARDS

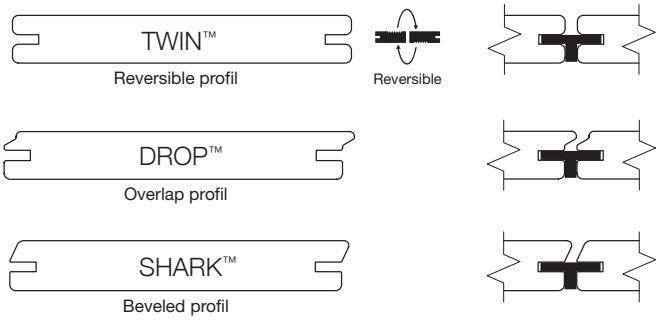


Models	M	L
Spacing between boards during installation	<p>5 mm</p>	<p>7 mm</p>
Max. allowed swelling	4 mm	6 mm
Max. allowed shrinking	9 mm	8 mm
Material	High Impact Polyamide	High Impact Polyamide
Colour	Black, anti-reflectio	Black, anti-reflectio
UV resistance	Yes	Yes
Resistance to high and low temperatures	Excellent	Excellent





PROFILES



	TWIN™	DROP™	SHARK™
Decking	•	•	•
Vertical cladding	•	•	•
Horizontal cladding	Sheltered or interior	•	•

Available in various finishes, thicknesses from 20 mm and widths up to 145 mm. Other larger sizes, depending on species, thickness, installation conditions, etc.

GROOVING



Grooving along the whole length, with a 4-sided planer or spindle moulder.



Local grooving, with a Lamello® type biscuit joiner or a router.

HIDDEN FASTENERS

FOR STABLE MODIFIED WOOD

USE FOR CLADDING

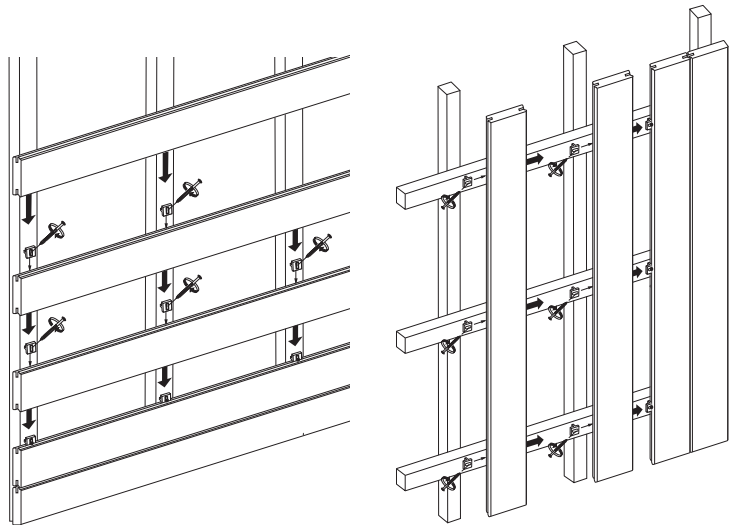


SoftWood Clip™ invisible fasteners guarantee quick and easy installation of cladding boards thanks to its integrated spacer, which automatically ensures they are correctly spaced and perfectly parallel to each other.

Having the boards screwed to their supports with SoftWood Clip™ fasteners makes installation much easier, and also guarantees their strength, stability and beauty over the lifetime of the facade covering.

SoftWood Clip™ ensures they are firmly fixed, whether laid horizontally or vertical .

The various technical profiles available for Soft wood Clip™ provide a solution for every cladding project, whether with closed or opened joints, domestic or public.





HIDDEN FASTENERS FOR STABLE MODIFIED WOOD



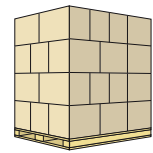
- ± 8m²
90mm
- ± 11m²
120mm
- ± 12m²
140mm

CONTENTS



Softwood Clip™ CLASSIC | ± 12m²

Estimate based on board width of 140 mm and joists centre to centre distance of 45 cm

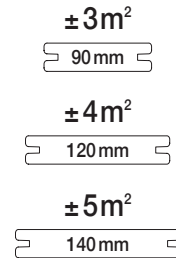


Model	Article code	EAN code	Kit		Box 8 Kits/Box		Pallet 288 Kits/Pallet	
			Dimensions (mm)	Weight	Dimensions (mm)	Weight	Dimensions (mm)	Weight
M - 5 mm	SW-M-200-12	5425 03355 030 1	245 x 190 x 95	1,55 kg	395 x 260 x 400	12,90 kg	1200 x 800 x 1750	489 kg
L - 7 mm	SW-L-200-12	5425 03355 031 8	245 x 190 x 95	1,57 kg	395 x 260 x 400	13,03 kg	1200 x 800 x 1750	494 kg



The information shown in this document is given for information purposes and is not contractual. It may be changed at any time without prior notice. All rights reserved ARCHIWOOD sprl.

HIDDEN FASTENERS FOR STABLE MODIFIED WOOD



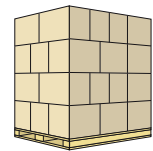
CONTENTS



Softwood Clip™

MINI | ± 5 m²

Estimate based on board width of 140 mm and joists centre to centre distance of 45 cm



Model	Article code	EAN code	Kit		Box 3 Kits/Box		Pallet 168 Kits/Pallet	
			Dimensions (mm)	Weight	Dimensions (mm)	Weight	Dimensions (mm)	Weight
M - 5 mm	SW-M-85-12	5425 03355 052 3	155 x 120 x 125	0,74 kg	365 x 160 x 135	2,34 kg	1200 x 800 x 690	156 kg
L - 7 mm	SW-L-85-12	5425 03355 053 0	155 x 120 x 125	0,75 kg	365 x 160 x 135	2,38 kg	1200 x 800 x 690	158 kg

